

# Tumble dryer

## TD6-14 with heat pump



**Dryer featuring exceptional savings and effortless use**



### Priority on people

Certified ergonomic design with a human-centered approach for an outstanding user experience

- Lint filter  
The horizontal filter drawer is positioned for easy access and cleaning without the need to bend down



### Long-term savings

Innovative features to save money and time, and embrace a sustainable lifestyle with up to 62,5% energy saving due to the heat pump technology

- Moisture Balance  
Helps to stop the drying process at the right time to save on energy costs



### Pure control

Monitor your equipment and performance from anywhere, allowing to take action and to improve your business with OnE Laundry - the personal assistant for hygiene validation management, process management and revenue management



### Outstanding productivity

Dry more laundry in less time: a game-changing improvement

- Reversing drum  
Minimizes wrinkles and drying time to get an effective and even drying performance

### Main options and accessories

- Insulated glass door keeps the door cool on the outside and heat on the inside, so the room temperature is not affected
- Lagoon Advanced Care
- Drum Speed Control adjusts the movement of the drum to help garments move correctly for a fastest drying process.
- Door, front and side panels are available in stainless steel
- Connectable to booking-/payment system or coin meter



Images shown are a representation of the product only and variations may occur.

Main specifications		TD6-14
Rated capacity, filling factor 1:18	kg/lb	14.2/31.3
filling factor 1:22	kg/lb	11.6/25.6
Drum volume	litre	255
Drum diameter	mm	755
Rated input	kW	6.5
<b>Consumption data*</b>		
Total time full load	min	35.2
Energy consumption full load	kWh	2.05
Evaporation	g/min	165
Energy kWh/litre water evaporated	kWh/l	0.35

\* At rated capacity 1:22, 100% cotton load at 50% initial moisture dried to 0%.

Produced according to ISO 9001 and ISO 14001.

Certified with CB certificate for Low Voltage Directive and S-mark according to the Machinery Directive. Protection class IP X4D.

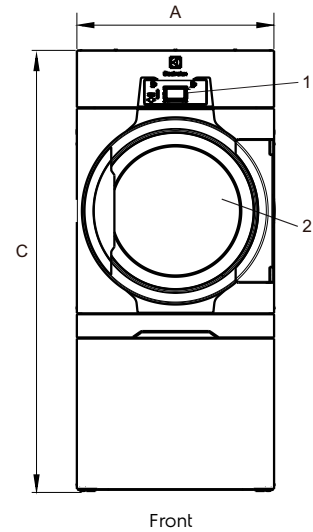
Electrical connections					
Heating alternative	Main voltage		Heating power kW	Total power kW	Recommended fuse A
	Hz				
Heat pump	220-240V 1/1N - 50/60		*	5.5	25
	380-415V 3/3N - 50/60				

\* Total power and recommended fuse does not depend on the heating power in those cases.

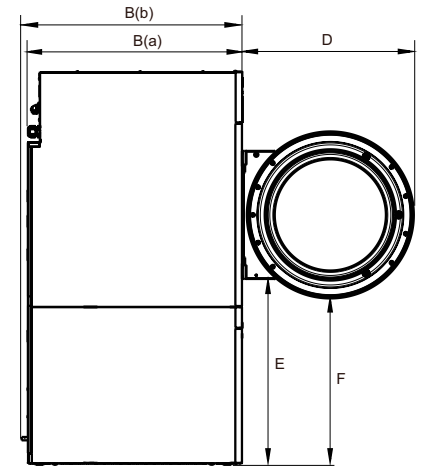
Sound levels		TD6-14
Sound power/pressure level at drying*		
dB(A)		72/56
Heat emission		
% of installed power, max		15
Shipping data**		
Weight	net, kg	275
Shipping volume	crated, m <sup>3</sup>	1.70
Dimensions in mm		
A(a)	Width	790
B(a)	Depth	965
B(b)	Depth	992
C	Height	1771
D		773
E		836
F		750
G		110
H		270
I		123
J		262
1	Operating panel	
2	Door opening $\varnothing$ 580 mm	
3	Electrical connection	
4	Drain for condense water	

\* Sound power levels measured according to ISO 60704.

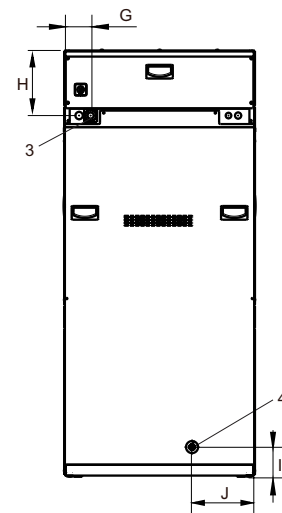
\*\* Average data. Crated weight/shipping volume depends on configuration. Please contact logistics for exact measures.



Front



Left side



Rear side