

# Washer extractor

## WH6-20 Compass Pro



Washer featuring exceptional savings and effortless use



### Priority on people

Certified ergonomic design with a human-centered approach for an outstanding user experience

Compass Pro® microprocessor offers:

- Easy program selection
- Language selection
- Quick selection and option buttons for the most frequently used wash programs and options
- Wash program packages optimized on Economy, Performance and Time



### Long-term savings

Innovative features designed for lowest possible water, energy and detergent consumption, to save money and time, and embrace a sustainable lifestyle

- Automatic Savings weighs the linen and adjusts the water level to the amount of linen, saving water and energy at less than full load
- Power Balance measures, corrects the unbalance and adjusts the G force in real time, maximizing the dewatering, saving money and time in the drying process



### Pure control

Monitoring of the status of the equipment and performance from anywhere, allowing to take action to improve the business

- Washers connectable to OnE Laundry, the personal assistant for hygiene validation, process management and revenue management



### Global Advanced Hygiene

Global Advanced Hygiene program package\* with proven log 6 reduction\*\* disinfection of textiles through the laundry process, fulfilling the criteria of all local approved standards

### Main options

- Savings on chemicals with help of Efficient dosing, both ED peristaltic pumps and ED Venturi
- Connection to booking- /payment- system or coin meter



Images shown are a representation of the product only and variations may occur.

\* Programs available in the standard library of all products, excluding products for specific segments where water temperature is not controllable.

\*\* Log 6 reduction equals to 99,999% viral infectivity reduction. The efficacy of reduction of SARS-CoV-2 and other pathogens in the process is confirmed by RISE (The Research Institute of Sweden) on the basis of Electrolux Professional laboratory data.

| Main specifications                          |                    |       |                  | WH6-20            |                  |                   |  |
|--|--------------------|-------|------------------|-------------------|------------------|-------------------|--|
| Max. capacity                                | filling factor 1:9 | kg/lb | 20/45            |                   |                  |                   |  |
| Drum,  | volume             | litre | 180              |                   |                  |                   |  |
|  | diameter           | ø mm  | 725              |                   |                  |                   |  |
| Extraction                                   |                    | rpm   | 1055             |                   |                  |                   |  |
| G-factor                                     |                    |       | 450              |                   |                  |                   |  |
| Standard heating alternatives                | electricity        | kW    | 18.0             |                   |                  |                   |  |
|  | steam              |       | X                |                   |                  |                   |  |
|  | non-heated         |       | X                |                   |                  |                   |  |
| <b>Consumption data "ECO 60°C"</b>           |                    |       |                  | EI                |                  | Steam***          |  |
| Total time                                   | min                |       | Full load, 20 kg | Half load**, 9 kg | Full load, 20 kg | Half load**, 9 kg |  |
| Water consumption (cold+hot)                 | litre              |       | 60               | 54                | 60               | 54                |  |
| Energy consumption (motor/heating/hot water) | kWh                |       | 113+10           | 56+5              | 123+0            | 61+0              |  |
| Steam consumption                            | kg                 |       | 0.50/2.20/0.55   | 0.45/1.15/0.25    | 0.50             | 0.45              |  |
| Residual moisture                            | %                  |       | -                | -                 | 4.1              | 2.10              |  |
|  |                    |       | 45               | 46                | 45               | 46                |  |

\* Water temperature 15°C cold water and 65°C hot water.

\*\* Programs with AS.

\*\*\* Depending on steam pressure.

| Electrical connections |                 |       |                  |                |                    |
|------------------------|-----------------|-------|------------------|----------------|--------------------|
| Heating alternative    | Main voltage    |       | Heating power kW | Total power kW | Recommended fuse A |
|                        |                 | Hz    |                  |                |                    |
| Electric heated        | 220-240V 3 -    | 50/60 | 18.0             | 18.5           | 50                 |
|                        | 380-415V 3N/3 - | 50/60 | 18.0             | 18.5           | 35                 |
|                        | 440V 3 -        | 60    | 18.0             | 18.5           | 25                 |
|                        | 480V 3 -        | 60    | 18.0             | 18.5           | 25                 |
| Steam or Non heated    | 220-480V 1 -    | 50/60 | -                | 2.5            | 10                 |

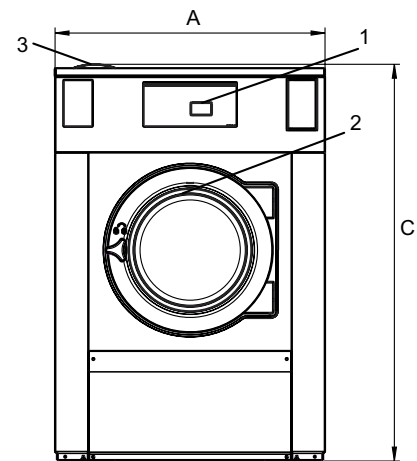
\* Total power and recommended fuse does not depend on the heating power in those cases.

| Water and steam connection                |                           | WH6-20    |
|---|---------------------------|-----------|
| Water valves                              | DN                        | 20        |
| Water pressure                            | kPa                       | 200-600   |
| Capacity at 300 kPa                       | l/min                     | 30        |
| Drain valve                               | ø mm                      | 75        |
| Draining capacity                         | l/min                     | 170       |
| Steam valve                               | DN                        | 15        |
| Steam pressure                            | kPa                       | 300-600   |
| Liquid detergent supplies                 |                           | 5         |
| Floor requirements                        |                           |           |
| Frequency of the dynamic force            | Hz                        | 17.6      |
| Floor load at max extraction              | kN                        | 4.2 ± 1.0 |
| Sound levels                              |                           |           |
| Sound power/pressure level at extraction* | dB(A)                     | 84/68     |
| Sound power/pressure level at wash*       | dB(A)                     | 66/50     |
| Heat emission                             |                           |           |
| % of installed power, max                 |                           | 5         |
| Shipping data**                           |                           |           |
| Weight                                    | net, kg                   | 354       |
| Shipping volume                           | m <sup>3</sup>            | 1.66      |
| Accessories                               |                           |           |
| Steel base                                |                           | x         |
| Hose kits for water or steam              |                           | x         |
| Fluff collector                           |                           | x         |
| Dimensions in mm                          |                           |           |
| A Width                                   |                           | 970       |
| B Depth                                   |                           | 945       |
| C Height                                  |                           | 1430      |
| D1  |                           | 470       |
| D2  |                           | 555       |
| E   |                           | 1480      |
| F   |                           | 1135      |
| G   |                           | 150       |
| H   |                           | 1330      |
| I   |                           | 400       |
| J   |                           | 300       |
| K   |                           | 1290      |
| L   |                           | 1210      |
| M   |                           | 350       |
| N   |                           | 105       |
| O   |                           | 335       |
| P   |                           | 330       |
| Q   |                           | 215       |
| 1 Operating panel                         | 7 Re-used water           |           |
| 2 Door opening ø 435 mm                   | 8 Drain valve             |           |
| 3 Detergent box                           | 9 Liquid detergent supply |           |
| 4 Cold water                              | 10 Electrical connection  |           |
| 5 Hot water                               | 11 Steam connection       |           |
| 6 Cold/Hot water                          |                           |           |

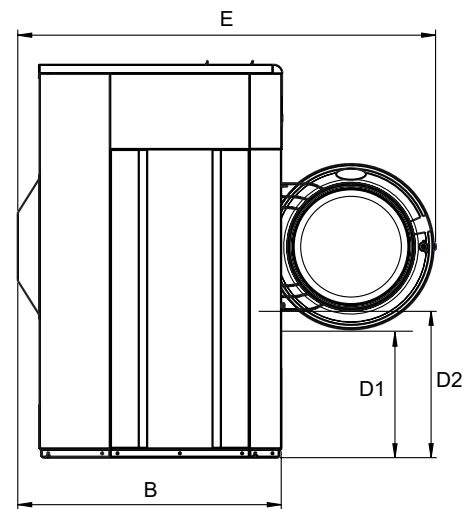
Front and side panels in silver grey and dark blue (color samples can be ordered on part number 472998313).

\* Sound power levels measured according to ISO 60704.

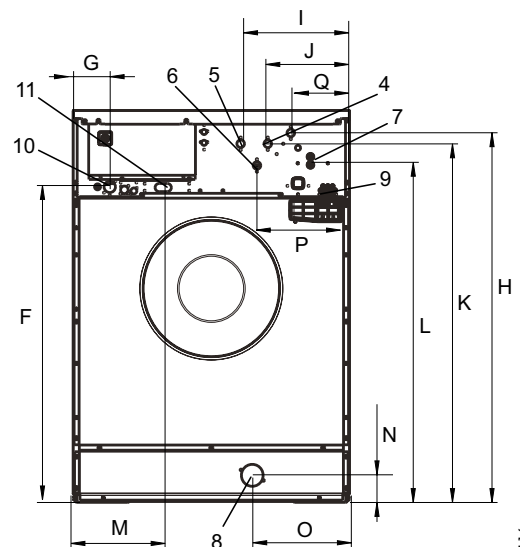
\*\* Average data. Crated weight/shipping volume depends on configuration. Please contact logistics for exact measures.



Front



Side view



Rear